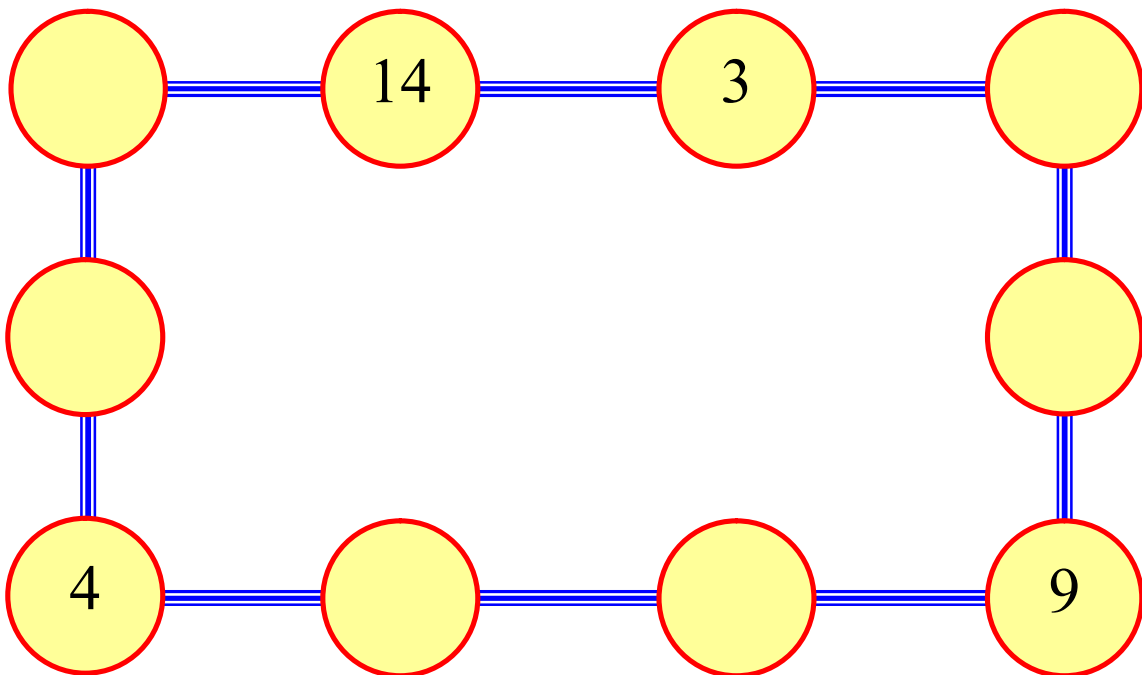




## Puzzle time

Add up to 20

Using any whole numbers as many times as you like make each line of the rectangle add up to 20.



Can you find more than one way to do this?

Can you make up your own puzzle like this?

Find the answer on the next page.



## Puzzle time

### Add up to 20 - answer

Now the key to doing this is to look at the top row.  
The numbers 3 and 14 add up to 17 which only leaves 3.  
So the two numbers must be 1 and 2 - try them to see where they fit best.

